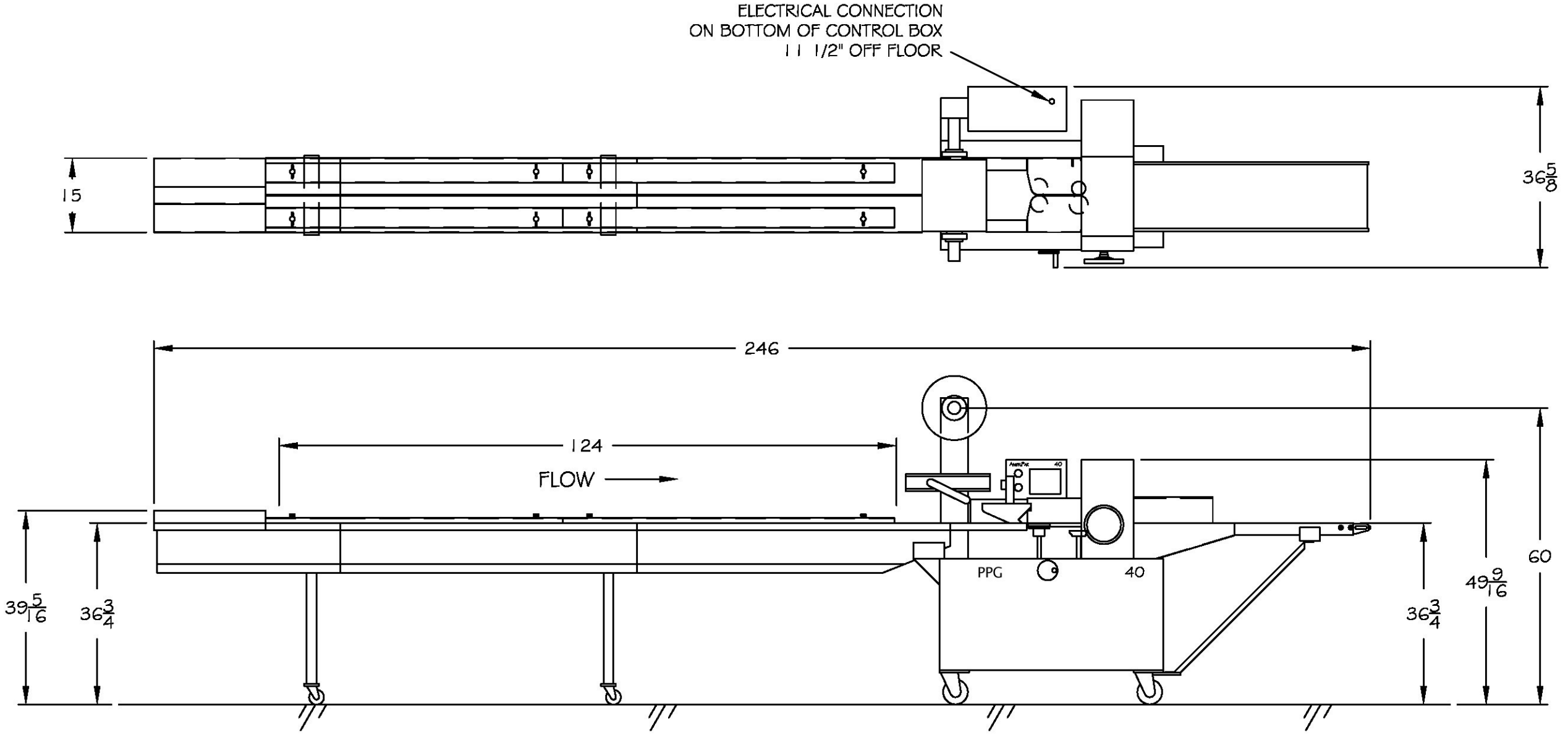


ELECTRICAL CONNECTION
ON BOTTOM OF CONTROL BOX
1 1/2" OFF FLOOR



PPG

TOLERANCES UNLESS OTHERWISE SPECIFIED
.XX = ±.015
.XXX =
.XXXX

DWN. BY	DATE	SCALE	QUAN.	NAME
JR	11-30-09	1/2"=1'		FLOOR PLAN
MATERIAL				MACHINE
				40
				DWG. NO.
				23-299-009-2